

Aluminum Mounting Channel

4' / 6' Extra-Deep Format

PRODUCT OVERVIEW

GM Lighting's LED-CHL-XD channel accepts all low voltage GM Lighting LED tape. Available in 48" and 72" lengths, these deep-set mounting channels are the perfect vessel that not only insures an architectural quality installation, but also minimizes diode imaging due to the frosted lens that is included with each channel.

FEATURES

- Available in 4ft (48in) and 6ft (72in)
- Silver Anodized
- Includes 2 mounting clips and screws with 4ft, 4 mounting clips and screws with 6ft
- Includes acrylic frosted lens
- End caps sold separately
- Available without flange (see LED-CHL-XD-F spec sheet for flanged option ordering information)
- For LTR Series Tape - LTR-P, LTR-S and LTR-E
- Custom lengths available - consult factory
- Dry location only

Note: For Vision120, use V120-CHL channels.

SPECIFICATIONS

ELECTRICAL

- Fits 12V/24V LEDtask LED tape

WARRANTY

- 5-year warranty



ORDERING INFORMATION

Example: LED-CHL-XD-6

Model	Type	Length	Color
LED-CHL	XD	Blank (4 ft)	Blank (Silver Anodized)
		6 (6 ft)	

ACCESSORIES

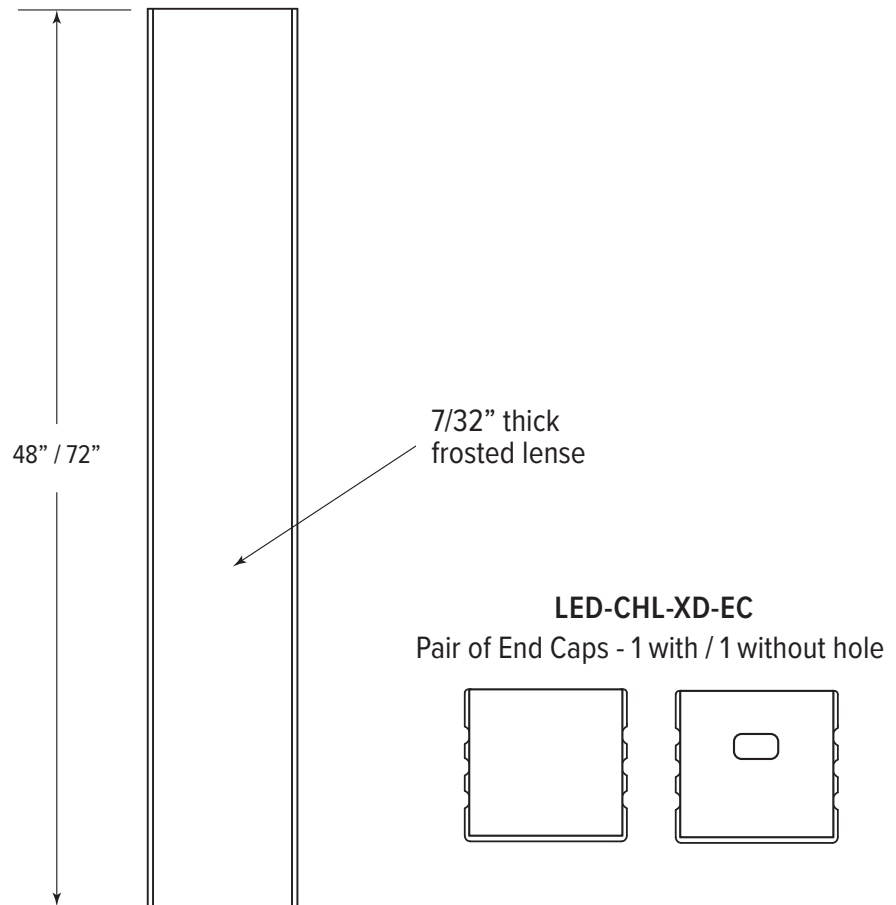
Model	Description
LED-CHL-XD-AMC	(2) Adjustable mounting clips
LED-CHL-XD-EC	(2) End caps - one solid, one with wiring hole

Aluminum Mounting Channel

4' / 6' Extra-Deep Format

Model	Dimensions	Connectors	Compatibility	Finish
LED-CHL-XD	L48" or 72" x W .98" x D .86"	Sure-Tite and EZ Connectors	LTR-P, LTR-S, LTR-E Series Dry / Wet Location	Blank (Silver Anodized)
LED-CHL-XD-6				

DIAGRAM



DIMENSIONS

