

LTR-S-COB LED Specification Series

RGB+ Tunable White LED Tape 24VDC Dry Location Specification Sheet



PRODUCT OVERVIEW

GM's RGB + Tunable White COB tape adds a new dimension beyond simple RGB. With the addition of 2700K and 6500K White LEDs, an amazing combination of color and general lighting is enabled. Cool white light can be used for critical tasks while warm whites create a cozy environment. RGB colors create a wide array of accent options for your desired look. Compact, COB style tape means reduced pixelization for smoother looking light. Designed for high quality illumination in dynamic applications.

FEATURES

- Red, Green, Blue (RGB) channels for rich color applications
- Tunable White LEDs for general and task lighting (2700K-6500K)
- 169 LEDs (single color), 845 LEDs (all LEDs) per meter
- Cuttable Increment: 1-5/8"
- 90° L-sections make flat corner applications easy
- Custom lengths available - consult factory
- 150° viewing angle
- 3M adhesive back
- Compatible with 5-channel DMX or RF control

SPECIFICATIONS

ELECTRICAL

- 24VDC
- 5W per foot (all channels)
- Max run is 16'4" (5m)
- 5 LED channel, 6 wire LED tape

OPERATING TEMP

- -4°F to 104°F (-20°C to 40°C)

CERTIFICATION

- UL listed for US and Canada
- Class 2
- For use in dry and damp locations

WARRANTY

- 5 years when paired with GM power supply

Note: 24V non-dimming power supply required.

ORDERING INFORMATION

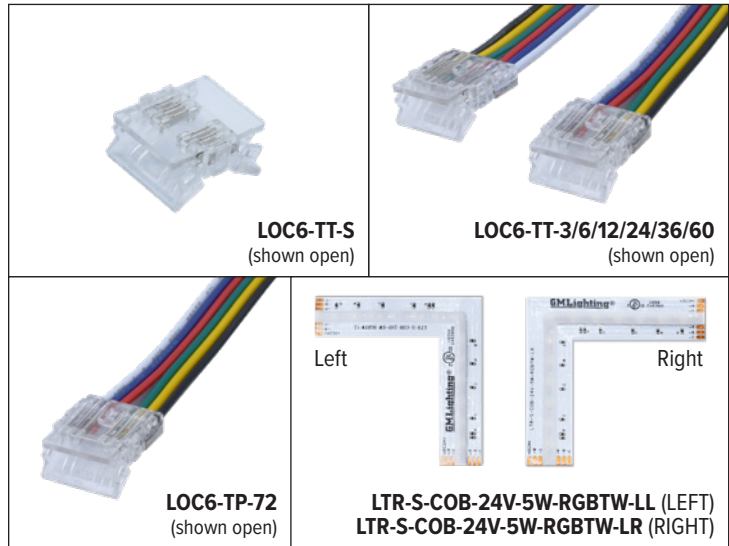
Example: **LTR-S-COB-24V-5W-RGBTW-16**

Model	Series	Voltage	Wattage	Type	Reel Length /Direction
LTR	S-COB	24V	5W	RGBTW	16 (Linear tape 16')
					LL (L-section LEFT)
					LR (L-section RIGHT)

Catalog No.	Description
LOC6-TT-S	Low profile 6C tape-to-tape splice connector
LOC6-TT-3	Low profile 6C tape-to-tape 3" wire connector
LOC6-TT-12	Low profile 6C tape-to-tape 12" wire connector
LOC6-TT-36	Low profile 6C tape-to-tape 36" wire connector
18-6-WIRE-XXXFT	18/6 In-wall rated cable (CMP) by the foot

Catalog No.	Description
LOC6-TP-72	Low profile 6C tape-to-power 72" wire connector
LOC6-TT-6	Low profile 6C tape-to-tape 6" wire connector
LOC6-TT-24	Low profile 6C tape-to-tape 24" wire connector
LOC6-TT-60	Low profile 6C tape-to-tape 60" wire connector

Project Name	Type
Catalog #	Date



LTR-S-COB LED Specification Series



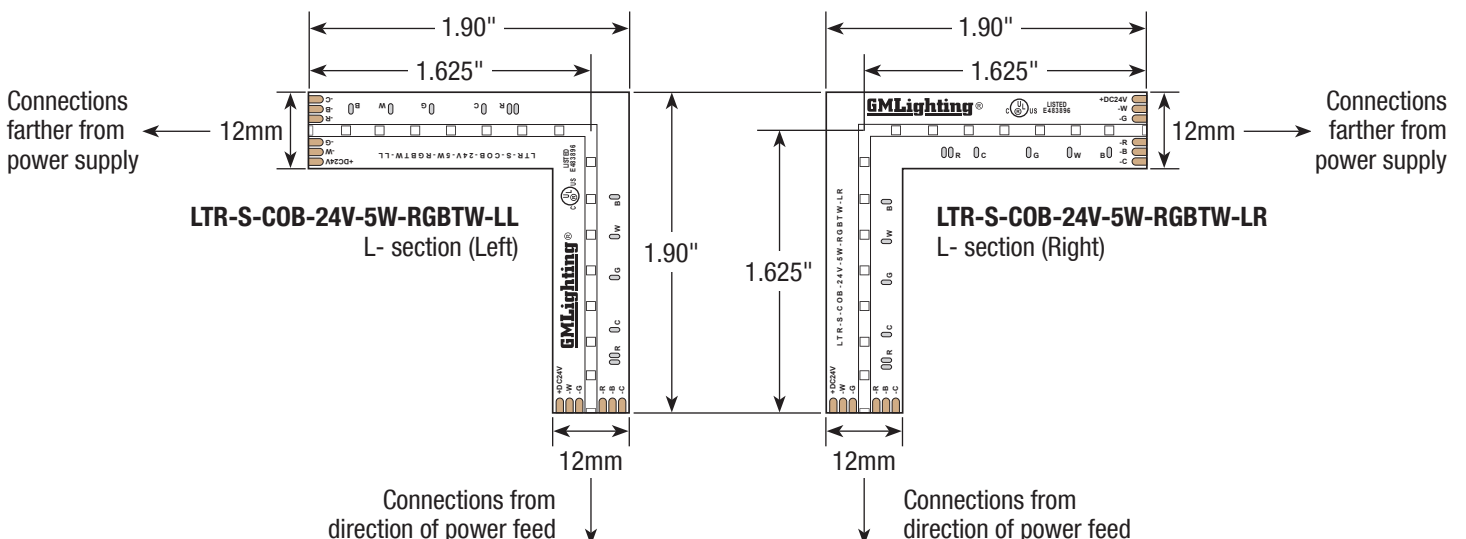
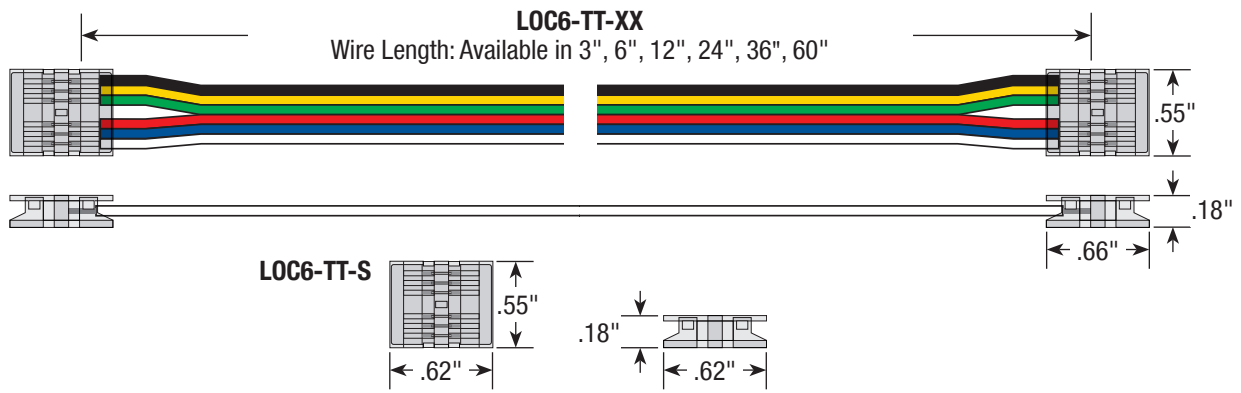
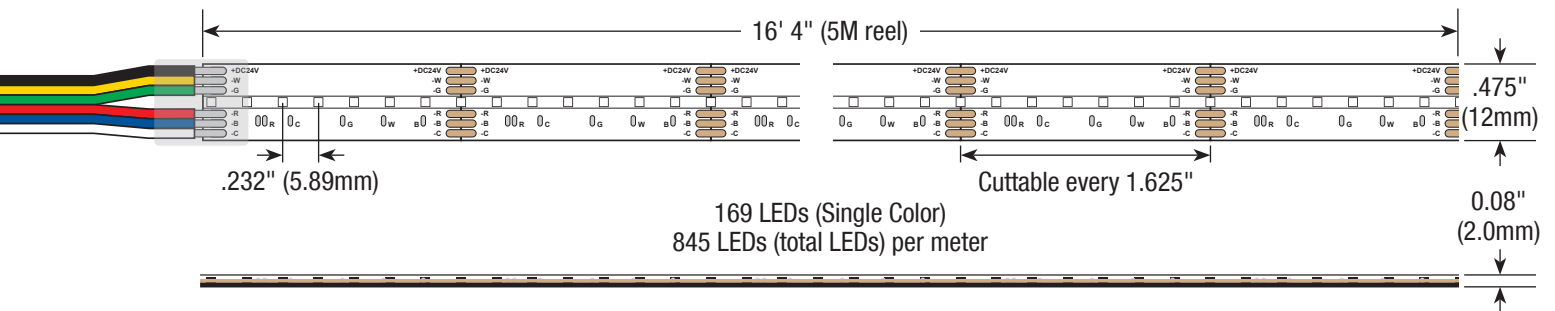
RGB+ Tunable White LED Tape 24VDC Dry Location Specification Sheet

PHOTOMETRIC AND POWER DATA

LED Channel	Voltage	Watts/ft	Lumens/ft	CCT	CRI	Wavelength
Warm White	24.0	0.97	68	2700K	91	-
Cool White	24.0	0.97	73	6500K	90	-
Red	24.0	1.56	-	-	-	628nm
Green	24.0	0.69	-	-	-	520nm
Blue	24.0	0.12	-	-	-	454nm

Total wattage for all channels on is 5W/ft max

DIAGRAMS

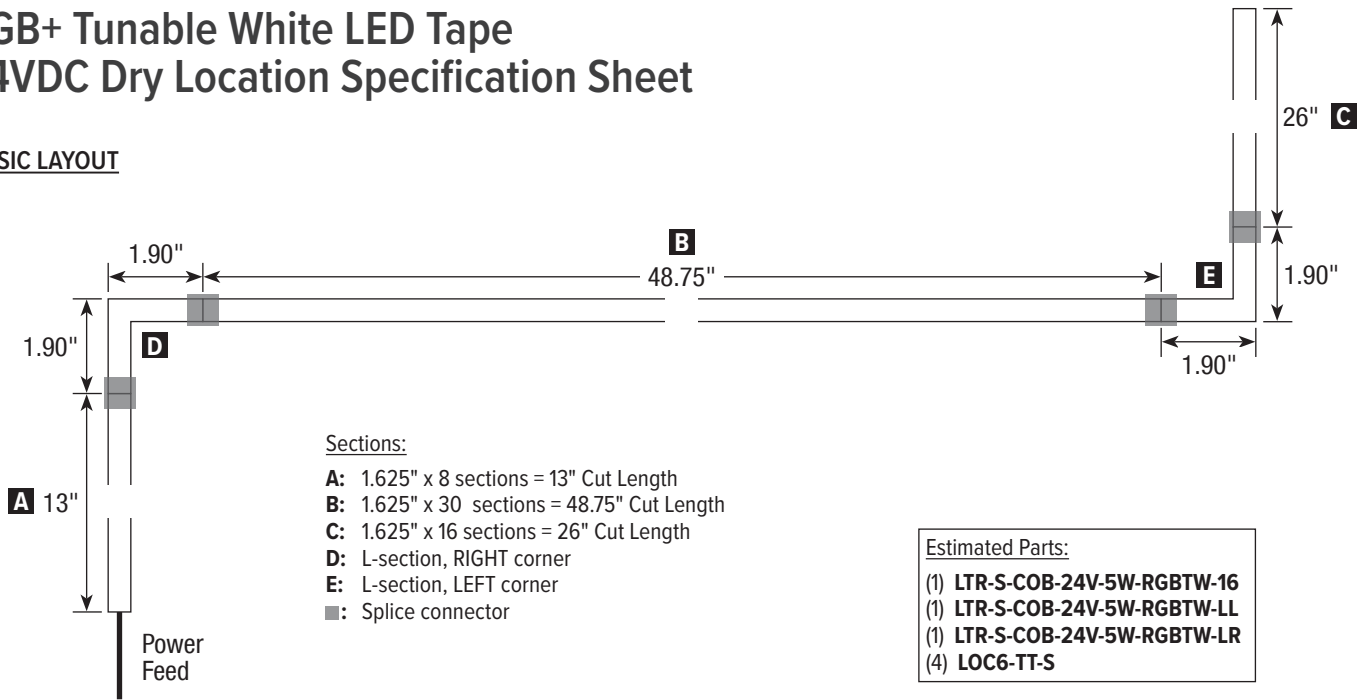


LTR-S-COB LED Specification Series



RGB+ Tunable White LED Tape 24VDC Dry Location Specification Sheet

BASIC LAYOUT



COMPATIBLE CONTROLLERS

System	Catalog No.	Description
RF Control	HCCM-RF-RGBTW	RGBTW 5 Channel Controller with RF Remote with holder and mounting hardware
	RPT-RGBTW	5 Channel Repeater
DMX Control	DMX-LT-995	5-Channel DMX Decoder
	WC5-RGBTW-DMX-BT	Black Wall Control 5-Channel DMX, Bluetooth App (requires LD-E-UNV8-12)
	LD-E-UNV8-12	12V 8W Constant Voltage Driver 120V/277VAC In
	DMX-TR-5	DMX Terminator Resistor 120 Ohm, 1/4 Watt, 5 pcs

RECOMMENDED DRIVERS

Model	Description	Watts	Weight	Dimensions
LD-E-UNV30	12VDC / 24VDC - 30W - 120V or 277V - 50/60Hz 12V/2.5A - 24V/1.25A - Class 2 Auto reset	30W	1.0 lbs	6.10"L x 3.35"W x 1.33"H
LD-E-UNV60	12VDC / 24VDC - 60W - 120V or 277V - 50/60Hz 12V/5A - 24V/2.5A - Class 2 Auto reset	60W	2.5 lbs	8.25"L x 4.10"W x 1.56"H
LD-E-UNV96-24	24VDC - 96W - 120V or 277V - 50/60Hz - 4 amps Class 2 Auto reset	96W	2.5 lbs	8.25"L x 4.10"W x 1.56"H
LD-E-UNV200-24	24VDC - 192W - 120V or 277V - 50/60Hz - 4 amps per channel (2) Class 2 Auto reset 2 x 96W channel	192W	4.7 lbs	9.50"L x 6.35"W x 1.56"H
LD-E-UNV300-24	24VDC - 288W - 120V or 277V - 50/60Hz - 4 amps per channel (3) Class 2 Auto reset 3 x 96W channel	288W	4.7 lbs	9.50"L x 6.35"W x 1.56"H

Please see our website for updated power supply specifications and information.

CORD AND PLUG DRIVERS

Model	Description	Watts	Weight	Dimensions
LTP24-48	24VDC - 48W - 2 amps - 120V - 120V cord (72") and plug Short circuit, overload protection - LED indicator for power on. UL listed	48W	1.8 lbs	4.68"L x 2.05"W x 1.25"H
LTP24-90	24VDC - 90W - 3.75 amps - 120V - 120V cord (72") and plug Short circuit, overload protection - LED indicator for power on. UL listed	90W	1.8 lbs	4.68"L x 2.05"W x 1.25"H

Please see our website for updated power supply specifications and information.

LTR-S-COB LED Specification Series

RGB+ Tunable White LED Tape 24VDC Dry Location Specification Sheet

COMPATIBLE CHANNELS

EXTRA DEEP

Catalog No.	Description	Length	Dimensions
LED-CHL-XD	Extra-deep format extruded channel. Includes snap-on frosted lens with mounting clips and screws.	4'	
LED-CHL-XD-8	Extra-deep format extruded channel. Includes snap-on frosted lens with mounting clips and screws.	8'	
LED-CHL-XD-AMC	(2) Adjustable mounting brackets for LED-CHL-XD	N/A	
LED-CHL-XD-EC	(2) End caps for LED-CHL-XD , one solid, one with hole	N/A	
LED-CHL-XD-MC	(2) Mounting clips and screws for LED-CHL-XD	N/A	

EXTRA DEEP FLANGED

Catalog No.	Description	Length	Dimensions
LED-CHL-XD-F	Extra-deep format extruded channel with flange. Includes snap-on frosted lens with mounting clips and screws.	4'	
LED-CHL-XD-F-8	Extra-deep format extruded channel with flange. Includes snap-on frosted lens with mounting clips and screws.	8'	
LED-CHL-XD-F-DC	(2) Drywall mounting brackets for LED-CHL-XD-F	N/A	
LED-CHL-XD-F-EC	(2) End caps for LED-CHL-XD-F , one solid, one with hole	N/A	

45° LARGE ANGLE MOUNT

Catalog No.	Description	Length	Dimensions
LED-CHL-45-1200	Extruded angled (45°) channel. Includes snap-on frosted lens with mounting clips and screws.	4'	
LED-CHL-45-1200-EC	(2) End caps for LED-CHL-45 , one solid, one with hole.	N/A	
LED-CHL-45-1200-MC	(2) Additional mounting clips for LED-CHL-45-1200	N/A	

WIDE

Catalog No.	Description	Length	Dimensions
LED-CHL-W	Wide format extruded channel. Includes snap-on frosted lens with mounting clips and screws.	4'	
LED-CHL-W-8	Wide format extruded channel. Includes snap-on frosted lens with mounting clips and screws.	8'	
LED-CHL-W-AMC	(2) Adjustable mounting brackets for LED-CHL-W	N/A	
LED-CHL-W-EC	(2) End caps for LED-CHL-W one solid, one with hole	N/A	
LED-CHL-W-MC	(2) Additional mounting clips for LED-CHL-W	N/A	

MUD-IN STANDARD

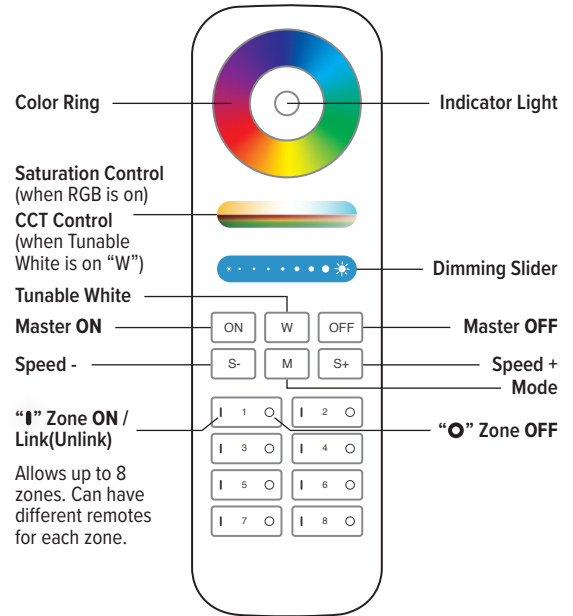
Catalog No.	Description	Length	Dimensions
LED-CHL-MI-ST8	8ft. standard extruded aluminum mud-in channel. Includes snap-on frosted lens.	8'	
LED-CHL-MI-ST8-FC90	Mud-in 90° Flat Corner with 4 joiners, set screws and hex key	N/A	
LED-CHL-MI-ST8-IC90	Mud-in 90° Inside Corner with 4 joiners, set screws and hex key	N/A	
LED-CHL-MI-ST8-OC90	Mud-in 90° Outside Corner with 4 joiners, set screws and hex key	N/A	
LED-CHL-MI-ST-EC	(2) End caps for LED-CHL-MI-ST8 , one solid, one with hole	N/A	
LED-CHL-MI-ST8-JC	Straight 2-piece joiner coupler, set screws and hex key	N/A	
LED-CHL-MI-ST8-LENS	PC diffuser lens, 8ft	8'	

LTR-S-COB LED Specification Series

RGB+ Tunable White LED Tape 24VDC Dry Location Specification Sheet

RF HAND HELD REMOTE AND CONTROLLER SYSTEM

Remote
HCCM-RF-RGBTW
18 Built-In Effects



*Remote requires (2) AA batteries (not included)
See instructions for use and pairing information.

18 PRESET DYNAMIC MODES (Adjustable Brightness / Saturation / Speed)

Dynamic Mode 1

No.	Mode
1	Mardi Gras
2	Automatic Color Change
3	Sam

No.	Mode
4	Gemstone
5	Twilight
6	American

No.	Mode
7	Fat Tuesday
8	Party
9	Slow Color Splash

Dynamic Mode 2

No.	Mode
1	Seven color gradual change
2	White light gradual change
3	RGB gradual change

No.	Mode
4	Seven colors jump to change
5	Jump to change randomly
6	Red light gradual change + flash 3 times

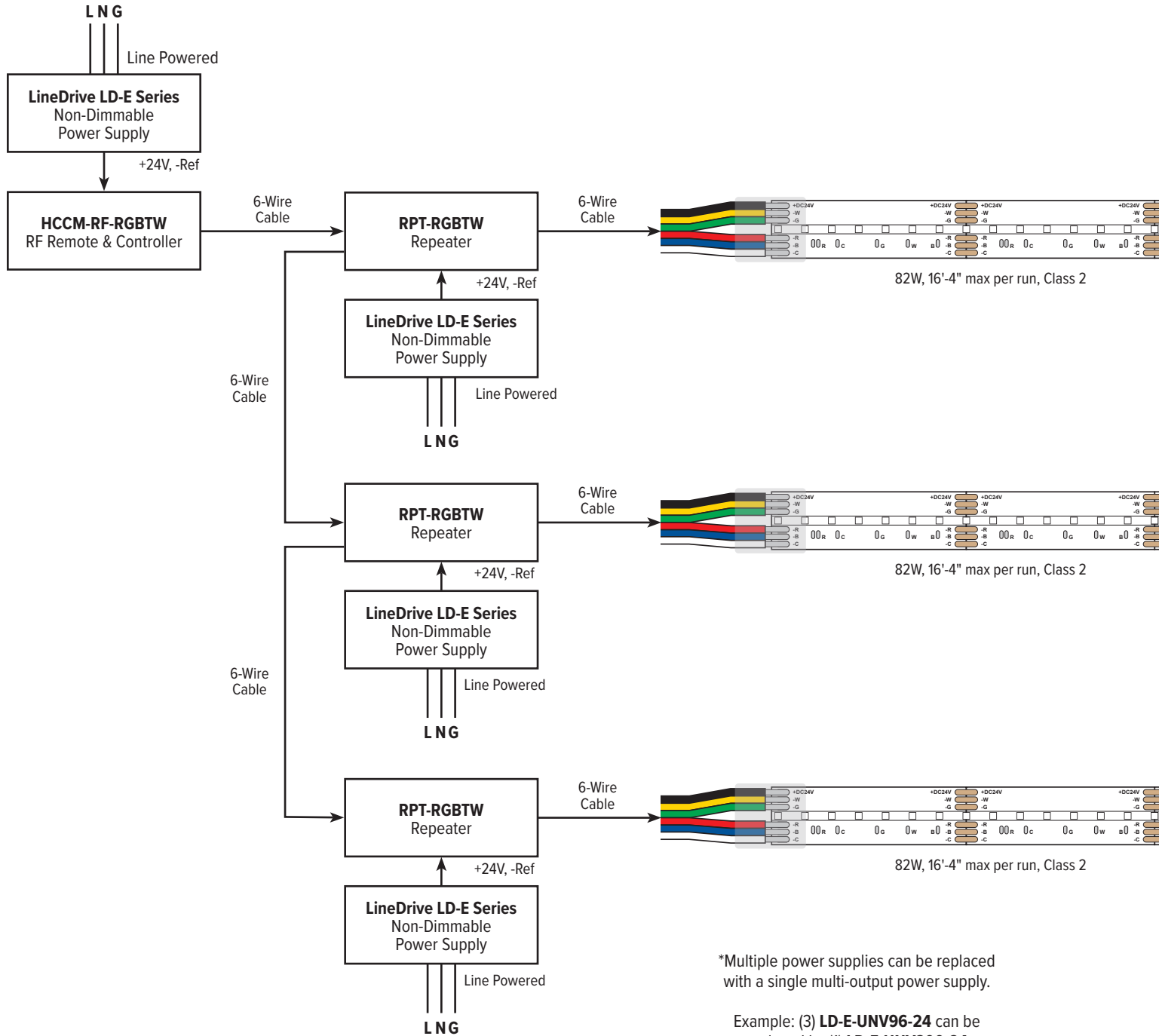
No.	Mode
7	Green light gradual change + flash 3 times
8	Blue light gradual change + flash 3 times
9	White light gradual change + flash 3 times

LTR-S-COB LED Specification Series

RGB+ Tunable White LED Tape 24VDC Dry Location Specification Sheet

RGBW-RWC HAND-HELD REMOTE CONTROLLER WIRING DIAGRAM

Incoming power for (L N G) can be 120V or 277V.
See Controller instructions for pairing and wiring details.



*Multiple power supplies can be replaced with a single multi-output power supply.

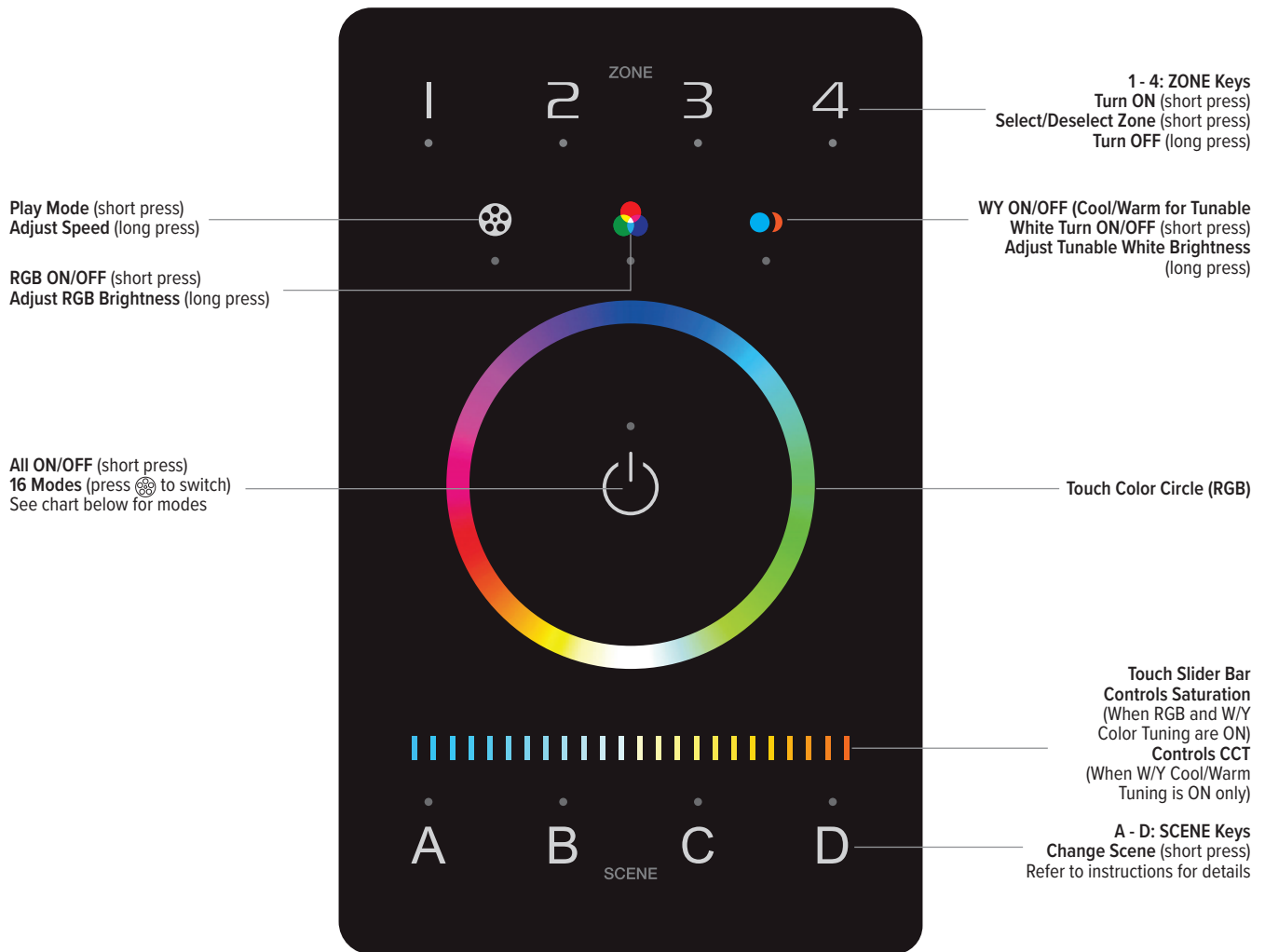
Example: (3) **LD-E-UNV96-24** can be replaced by (1) **LD-E-UNV300-24**

LTR-S-COB LED Specification Series

RGB+ Tunable White LED Tape 24VDC Dry Location Specification Sheet

See instructions for use and pairing information.

Wall Control WC5-RGBTW-DMX-BT 16 Built-In Modes



16 PRESET MODES (Adjustable Brightness / Saturation / Speed)

No.	Mode
1	3 Color Jumping
2	7 Color Jumping
3	White Strobe
4	7 Color Strobe
5	Red / Green Gradient
6	Red / Blue Gradient
7	Green / Blue Gradient
8	Red / Yellow Gradient

No.	Mode
9	Blue / Purple Gradient
10	Green / Yellow Gradient
11	Blue / Cyan Gradient
12	Red / Purple Gradient
13	Blue / White Gradient
14	Yellow / Purple / Cyan Gradient
15	3 Color Gradient
16	Full Color Gradient

LTR-S-COB LED Specification Series

RGB+ Tunable White LED Tape 24VDC Dry Location Specification Sheet

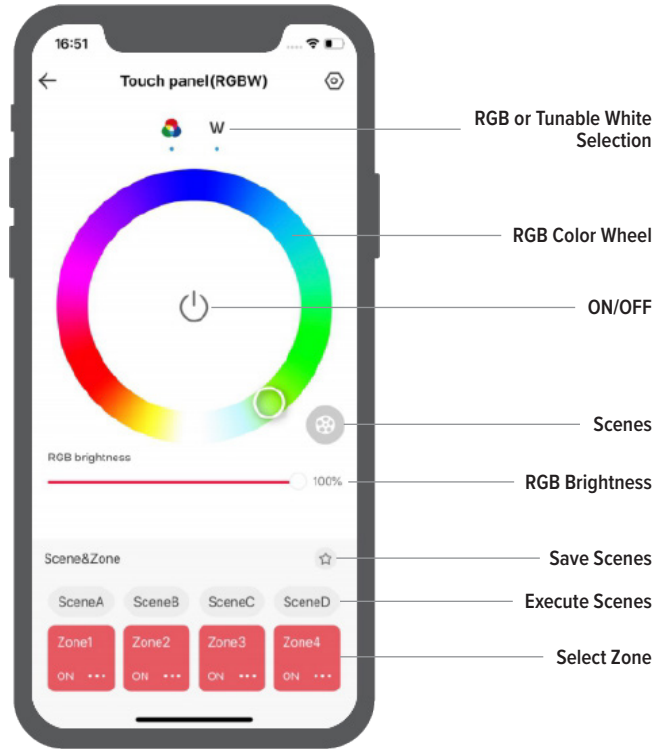
RGBTW DMX WALL CONTROL AND BLUETOOTH® APP

This device communicates by Bluetooth®. Wi-Fi not required for the App. Device that App is connected to will need Wi-Fi capability to download and set up the App.

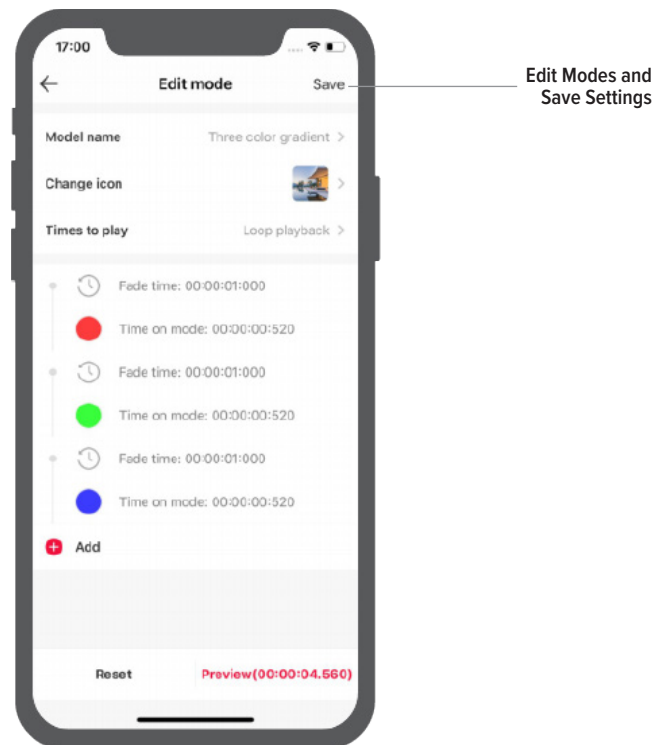
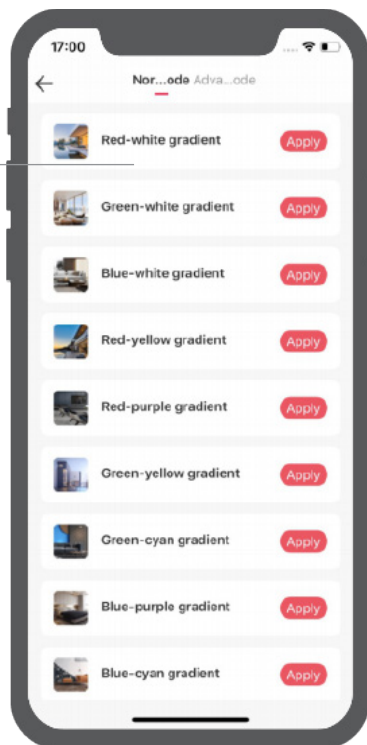
Note that Wi-Fi is NOT used to control the device

App Operation:

1. Scan the QR code in the instructions to download the App for Apple iOS or Android OS
2. Pair your device to the Wall Control
3. Use manual settings to check operation and use simple white, color and dimming functions
4. Select preset Modes to for advanced lighting options
5. Create Zones or custom Scenes by editing features
6. Share control with other devices



Click the mode to select more details



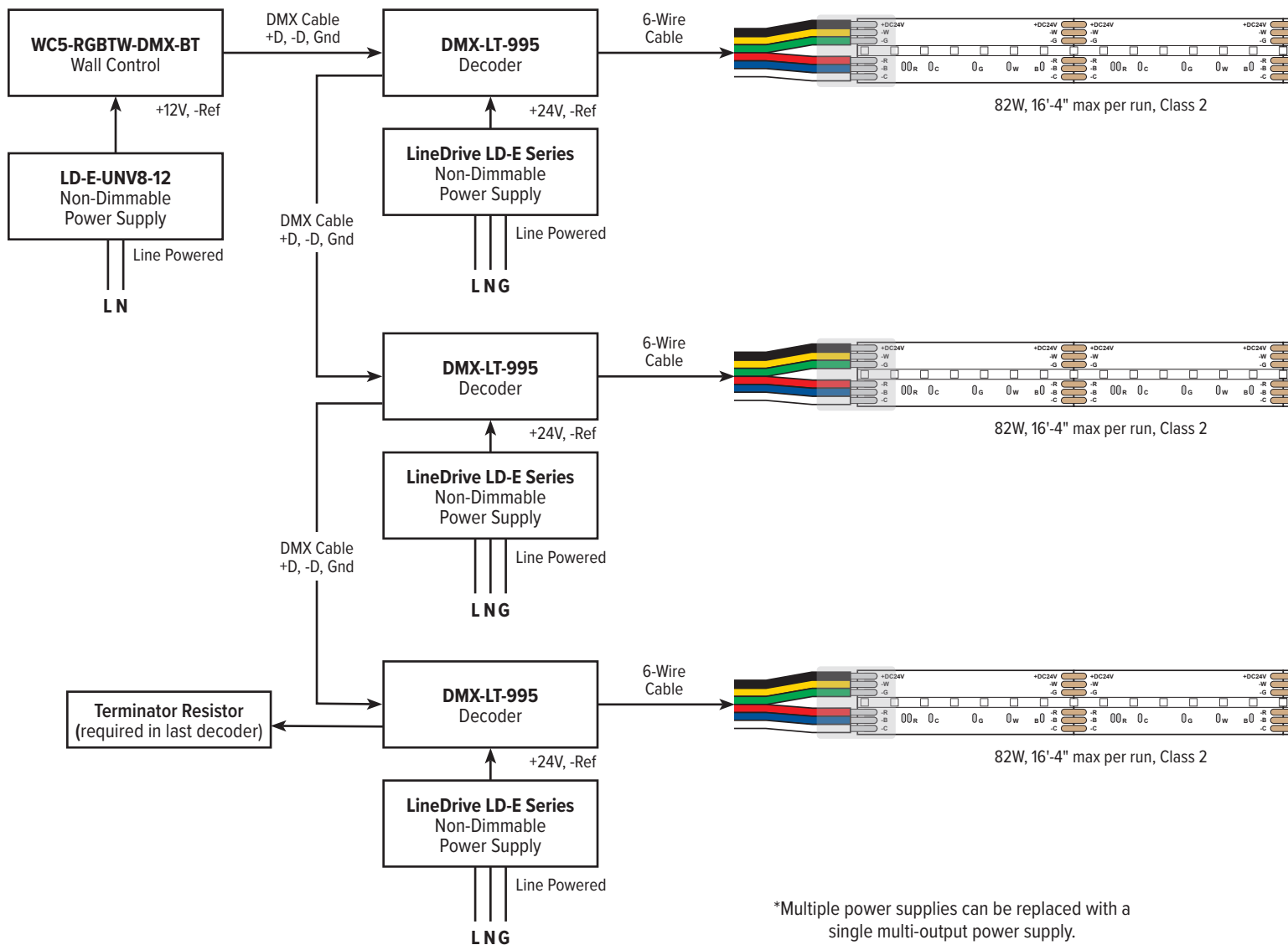
LTR-S-COB LED Specification Series

RGB+ Tunable White LED Tape 24VDC Dry Location Specification Sheet

RGBTW DMX WALL CONTROL AND BLUETOOTH APP

Three decoder example shown as simple example.
Consult DMX Planning Guide for specific application details and requirements of different size systems.
See separate data sheets and instructions for more details on DMX Wall Controls and Decoders.

Incoming power for (L N G) can be 120V or 277V.



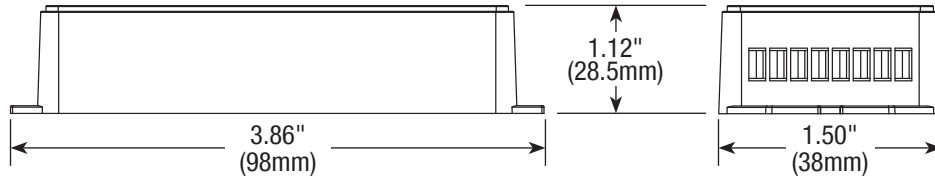
*Multiple power supplies can be replaced with a single multi-output power supply.

Example: (3) **LD-E-UNV96-24** can be replaced by (1) **LD-E-UNV300-24**

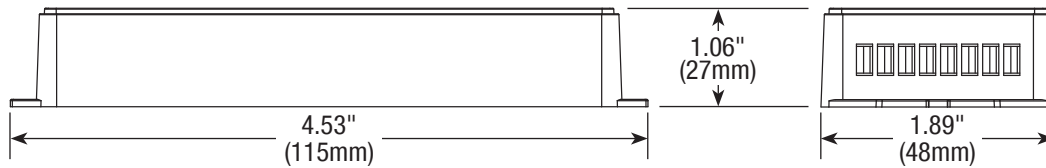
LTR-S-COB LED Specification Series

RGB+ Tunable White LED Tape 24VDC Dry Location Specification Sheet

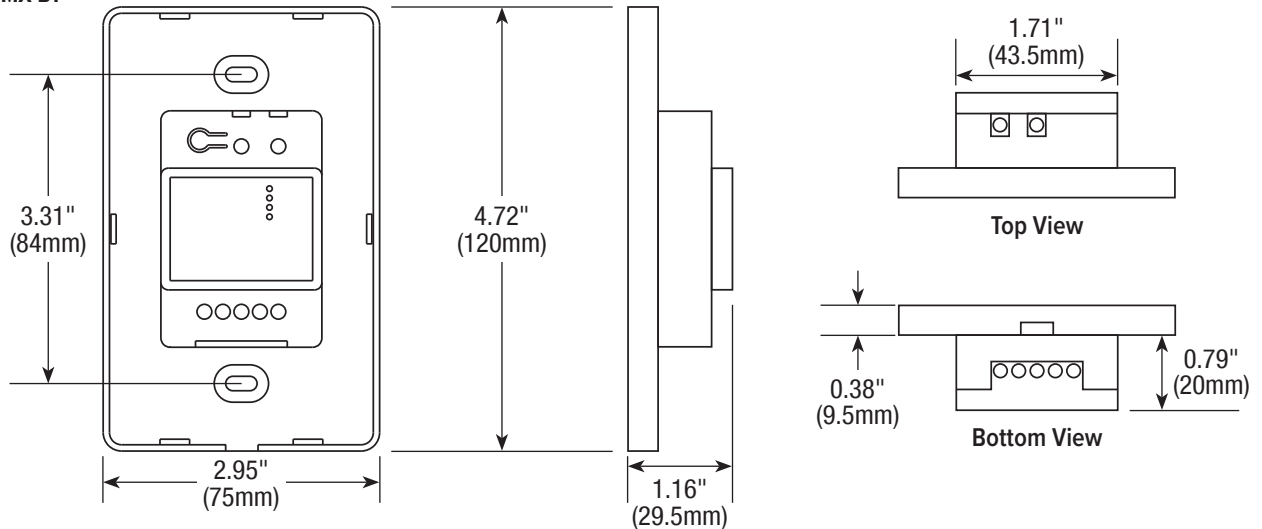
Controller
HCCM-RF-RGBTW



Repeater
RPT-RGBTW



Wall Control
WC5-RGBTW-DMX-BT



DMX Decoder
DMX-LT-995

