

100W Transformer

ILS-S100C-PC Specification Sheet



I R R A D I A R
L A N D S C A P E

PRODUCT OVERVIEW

The Irradiar Transformers by GM Lighting are high-performance transformers designed to provide reliable power for landscape lighting systems. Housed in water-resistant, outdoor-rated cases for long-lasting protection, these transformers offer a variety of manual and electronic timer options and a single photocell sensor for automated operation. Engineered for durability and convenience, they ensure consistent and safe power delivery, making them essential for maintaining the performance and longevity of your outdoor lighting installations.

FEATURES

- All-In-One functionality for simplicity
- Durable ABS case with front shield
- Sealed toroidal transformer construction
- Built-in photocell and timer

SPECIFICATIONS

ELECTRICAL

- 100W
- 120Vac input
- 12Vac nominal output (Multi-tap voltages)

CERTIFICATION

- cETLus
- Outdoor Rated
- IP65

WARRANTY

- 5 years (visit: gmlighting.net/warranty)

Project Name	Type
Catalog #	Date



ORDERING INFORMATION

Product No.	Watts	Voltage
ILS-S100C-PC	100W	120Vin, 12/15Vout

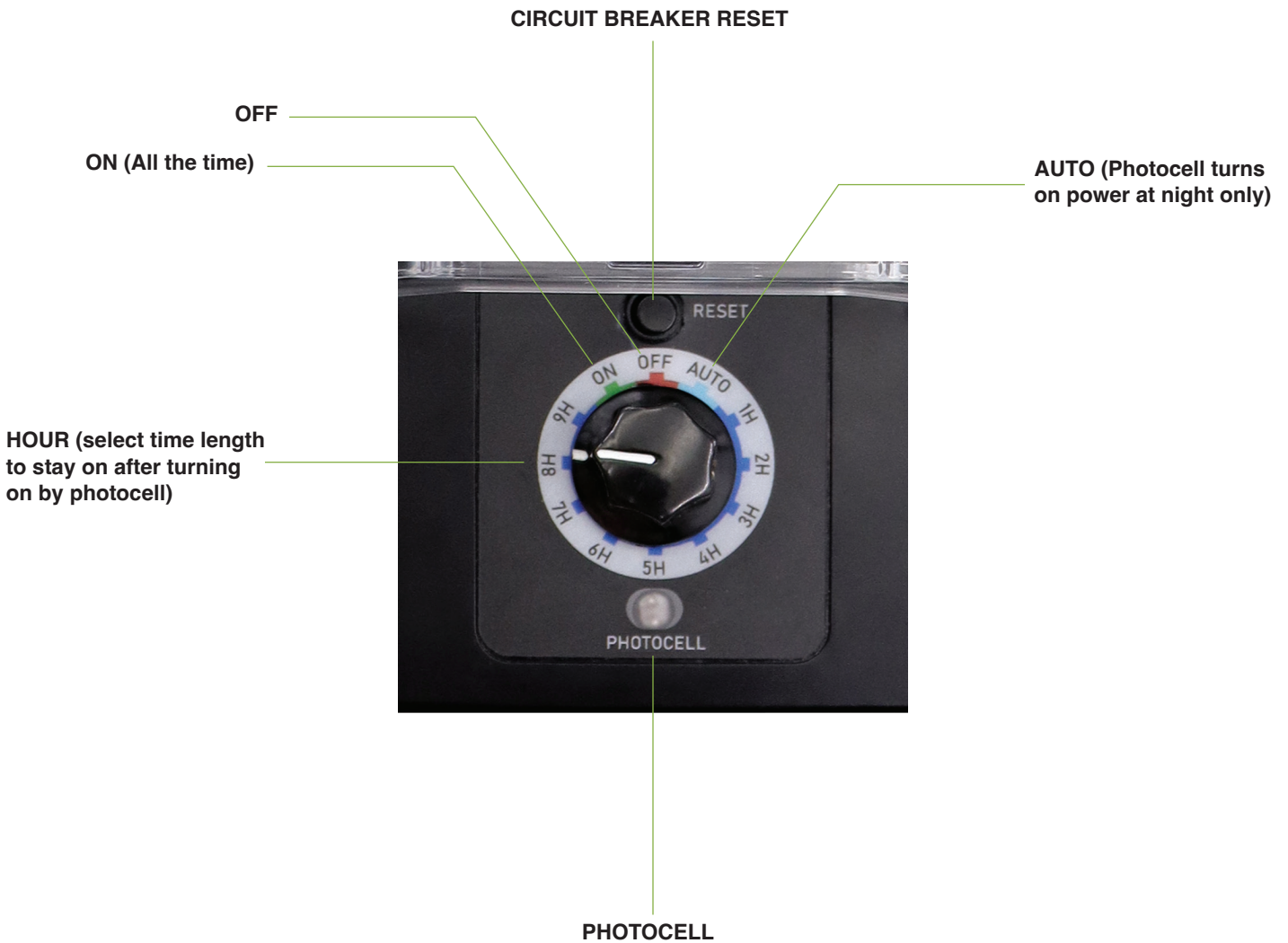
Derating factor: 80% max load

100W Transformer

ILS-S100C-PC
Specification Sheet



INSTRUCTIONS



100W Transformer

ILS-S100C-PC Specification Sheet



COMPATIBLE CONTROLS AND WIRING ACCESSORIES

Product No.	Description
ILS-C110	120V Photocell control for plug
ILS-C100D	Digital Timer for plug in control use
ILS-C100M	Mechanical Timer for plug in control use



Product No.	Description
ILS-W1020-100	ILS Wire 10/2 100FT SPT-1W Direct Burial Wire
ILS-W1020-250	ILS Wire 10/2 250FT SPT-1W Direct Burial Wire
ILS-W1020-500	ILS Wire 10/2 250FT SPT-1W Direct Burial Wire
ILS-W1220-100	ILS Wire 12/2 100FT SPT-1W Direct Burial Wire
ILS-W1220-250	ILS Wire 12/2 250FT SPT-1W Direct Burial Wire
ILS-W1220-500	ILS Wire 12/2 500FT SPT-1W Direct Burial Wire
ILS-W1420-100	ILS Wire 14/2 100FT SPT-1W Direct Burial Wire
ILS-W1420-250	ILS Wire 14/2 250FT SPT-1W Direct Burial Wire
ILS-W1420-500	ILS Wire 14/2 500FT SPT-1W Direct Burial Wire
ILS-W1620-100	ILS Wire 16/2 100FT SPT-1W Direct Burial Wire
ILS-W1620-250	ILS Wire 16/2 250FT SPT-1W Direct Burial Wire
ILS-W1620-500	ILS Wire 16/2 500FT SPT-1W Direct Burial Wire
ILS-WC206-10	Low Voltage 6-22 AWG Connectors (10 Pack/Bag)
ILS-WC206-100	Low Voltage 6-22 AWG Connectors (100 Jar)
ILS-WC208-10	Low Voltage 8-22 AWG Connectors (10 Pack/Bag)
ILS-WC208-100	Low Voltage 8-22 AWG Connectors (100 Jar)
ILS-WC210-10	Low Voltage 10-22 AWG Connectors (10 Pack/Bag)
ILS-WC210-100	Low Voltage 10-22 AWG Connectors (100 Jar)
ILS-WC212-10	Low Voltage 12-22 AWG Connectors (10 Pack/Bag)
ILS-WC212-100	Low Voltage 12-22 AWG Connectors (100 Jar)



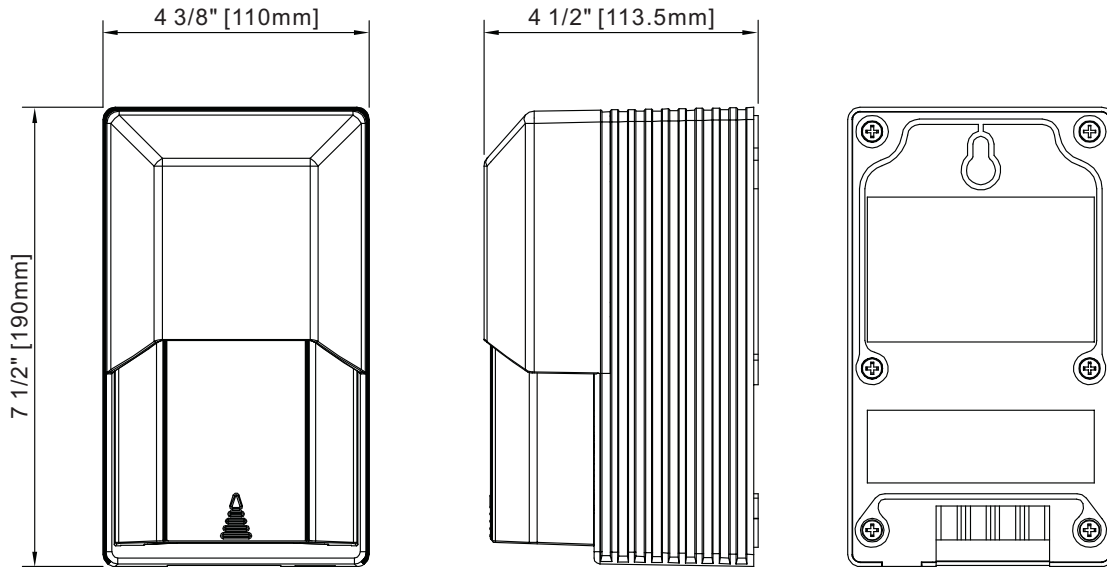
See separate specification sheet for control details.

100W Transformer

ILS-S100C-PC
Specification Sheet



DIMENSIONS



INSTALLATION

