

# NeoVisionMini

## 24VDC Neon LED Tape Specification Sheet

# GM Lighting®

### PRODUCT OVERVIEW

Narrow profile LED with curvable Side-Flex is a 4mm wide slim profile LED neon light designed for flexible and dynamic lighting applications. It features a horizontal bend capability, allowing for versatile installation in intricate designs. Designed for applications that require ultra-rich light and color saturation. Available in 2700K, 3000K, and 4000K White LEDs, providing a range of color temperatures suitable for various lighting needs. The well-diffused light output ensures even, soft, and eye-friendly illumination. IP65 waterproof standards, ensuring durability and suitability for both indoor and outdoor use.

### FEATURES

- Designed for simple field assembly
- 4mm W X 8mm H
- Tape encased in UV resistant silicone
- Dimmable
- White and color LED options
- 120° viewing angle
- Maximum run: 16'4", custom cuts available - see factory

### SPECIFICATIONS

#### ELECTRICAL

- 24VDC
- 2W per foot

#### PHOTOMETRIC

- White: 2700K, 3000K  
or 4000K at 90+ CRI, 9>50

#### CERTIFICATION

- cULus
- IP65

#### ENVIRONMENTAL

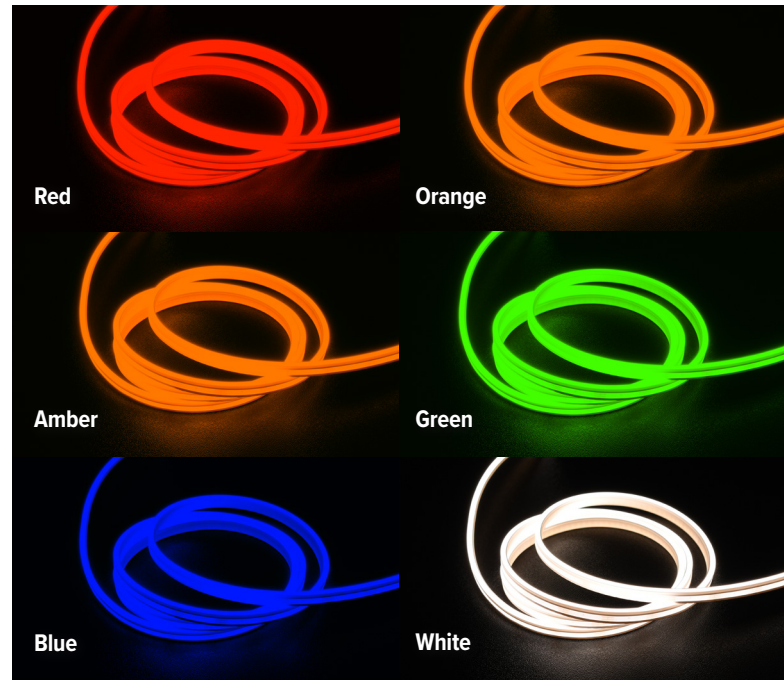
- Outdoor & wet location rated
- UV resistant
- Ambient operating temp:  
-4°F to +104°F (-20°C to +40°C)

#### WARRANTY

- 5 years

Project Name	Type
--------------	------

Catalog #	Date
-----------	------



# NeoVisionMini

## 24VDC Neon LED Tape

### Specification Sheet

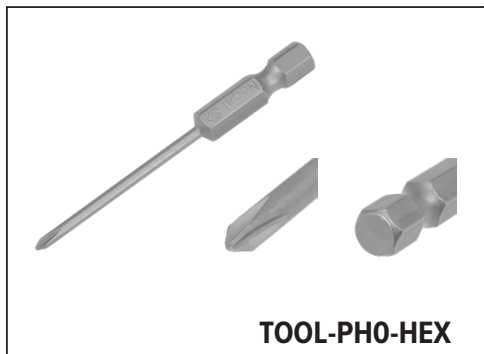
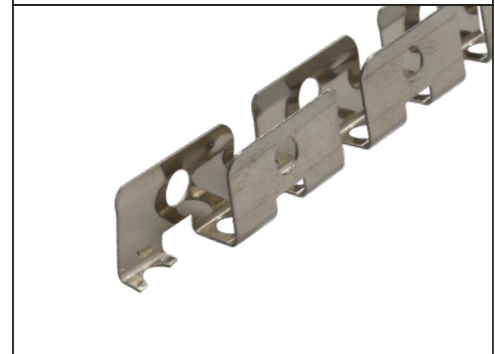
#### ORDERING INFORMATION

Example: NVM24S-2W-27K-16

Catalog No.	Watts/Ft Max.	Color Temp	Lumens/Ft	Max. Run
NVM24S-2W-27K-16	2W	2700K	70 Lm	16 ft 4 in
NVM24S-2W-30K-16	2W	3000K	68 Lm	16 ft 4 in
NVM24S-2W-40K-16	2W	4000K	59 Lm	16 ft 4 in
NVM24S-2W-AM-16	2W	Amber (590nm pk)	14 Lm	16 ft 4 in
NVM24S-2W-BL-16	2W	Blue (470nm pk)	13 lm	16 ft 4 in
NVM24S-2W-GR-16	2W	Green (519nm pk)	59 lm	16 ft 4 in
NVM24S-2W-OR-16	2W	Orange (610nm pk)	15 lm	16 ft 4 in
NVM24S-2W-RD-16	2W	Red (630nm pk)	7 lm	16 ft 4 in

#### ACCESSORIES

Catalog No.	Description
NVM24S-EC	End Cap, Molded Silicone (sealant not included)
NVM24S-MC-A	Back Mounting Clips, Aluminum (20 clips, 20 SS screws)
NVM24S-CHL-A4	Rigid Channel, Aluminum, 4ft
NVM24S-FLEX-CHL	Flexible Channel, Stainless Steel, 1m 105 holes & screws
TAPE-DS-VHB-4MMW	4mm wide x 6m VHB tape
TOOL-PH0-HEX	PH0 Philips head, 1/4" hex drive bit



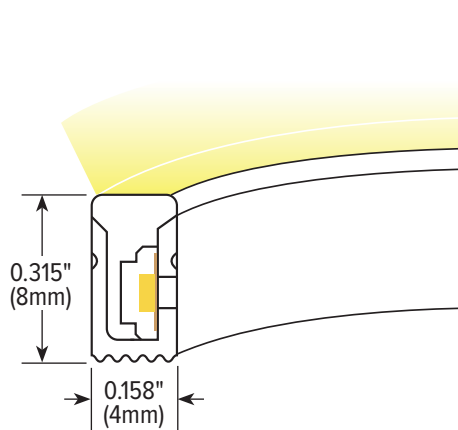
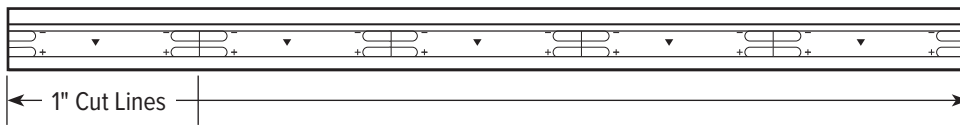
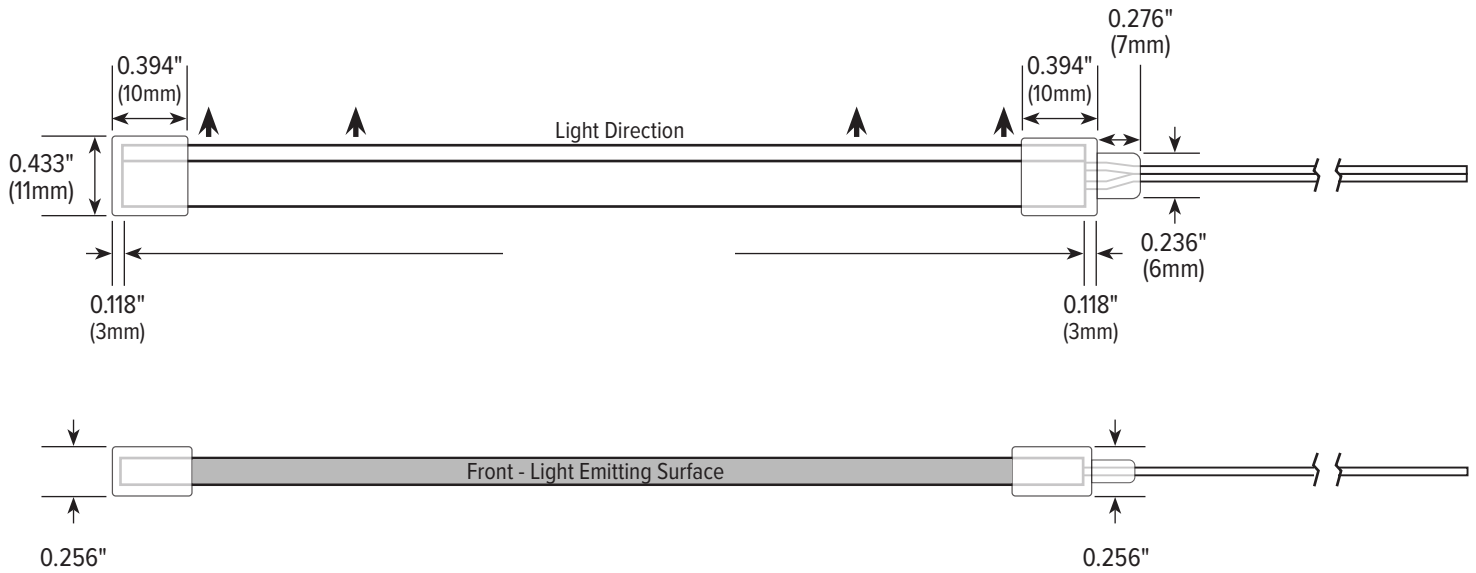
# NeoVisionMini

## 24VDC Neon LED Tape

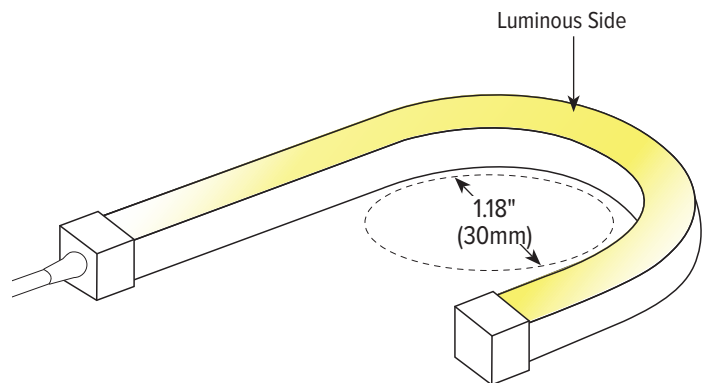
### Specification Sheet

#### DIMENSIONS

NVM24S-2W



**NVM24S**  
Cross Section



**NVM24S**  
Minimum Bending Diameter

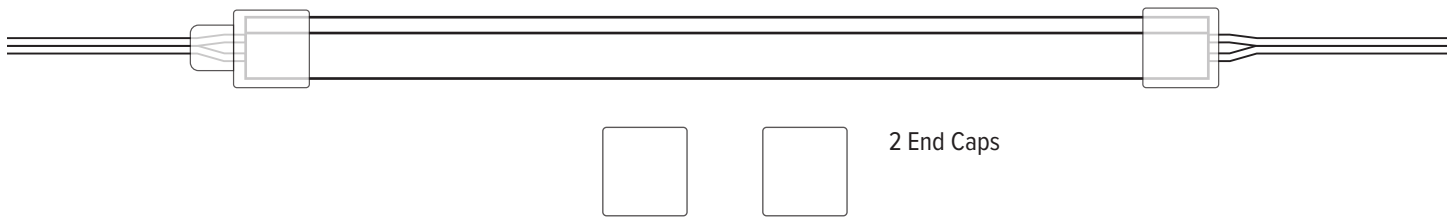
# NeoVisionMini

## 24VDC Neon LED Tape

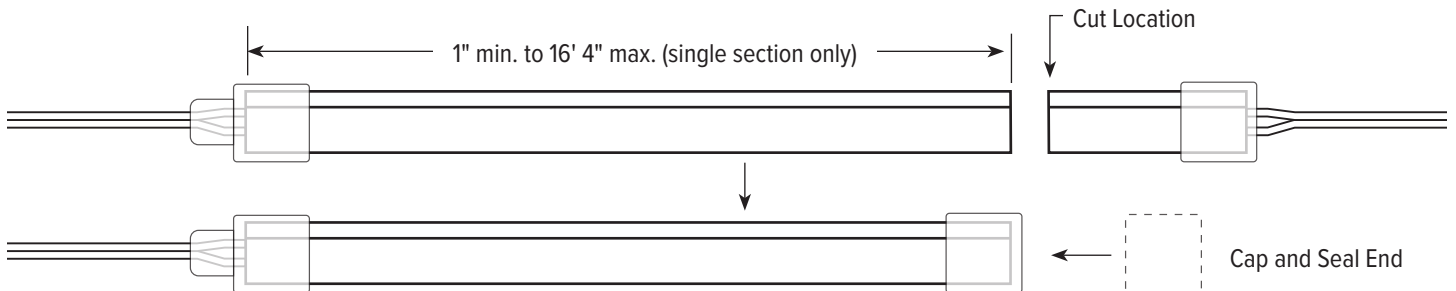
### Specification Sheet

#### FIELD ASSEMBLY

- Field assembly is simple with the NeoVision Mini Neon tape. Adjust to fit with 1" cut increments.
- Parts Included: Full length reel is 16'-6".  
4' power feed at each end. 2x feeds. 2 end caps.
- One reel can make 1 or 2 cut sections. An extra 2" is included to allow for cut end sections.

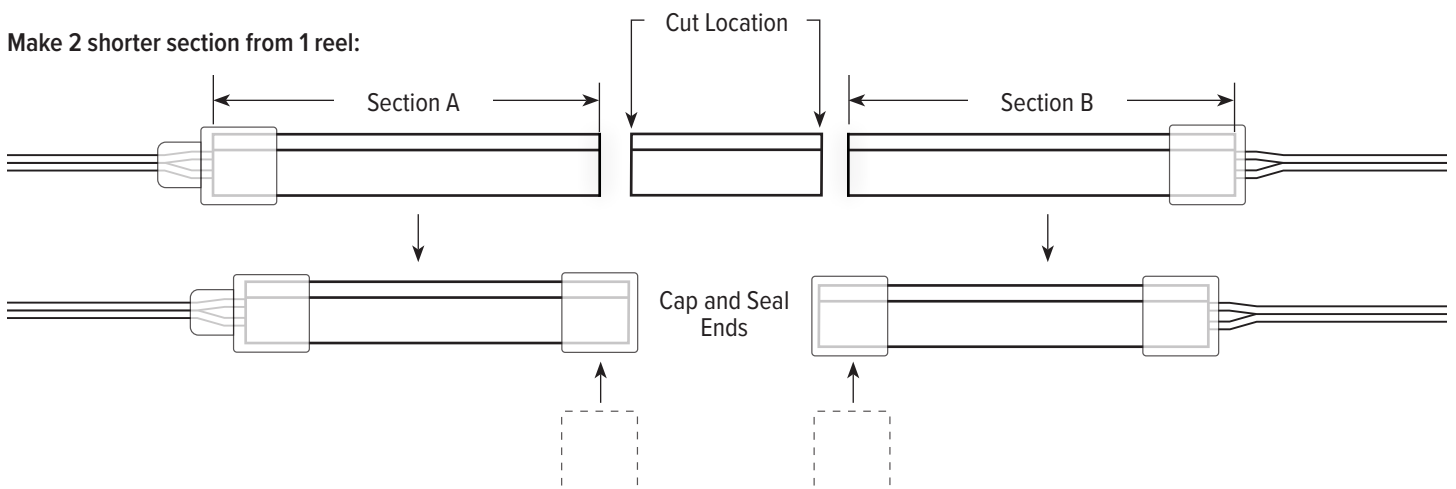


Make 1 long section from one reel:



A + B = 16' 6" max. (used as separate sections)

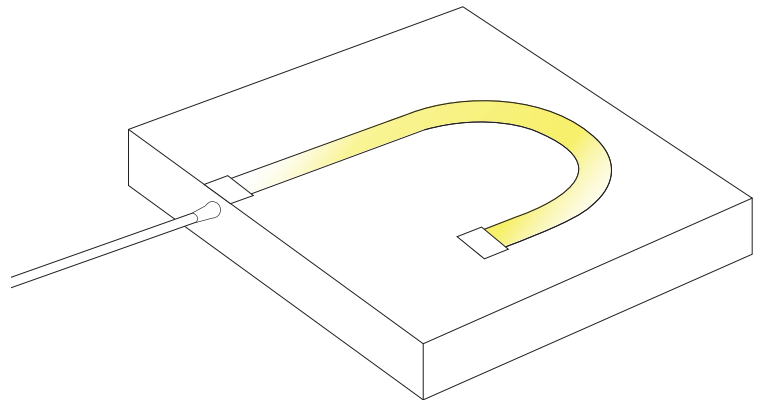
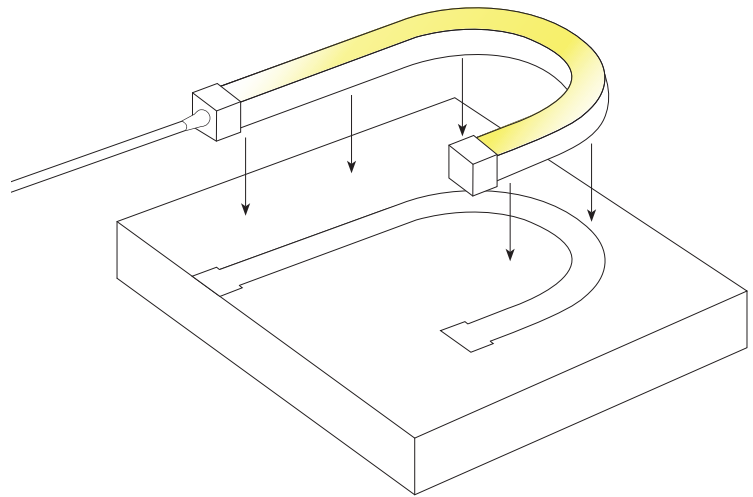
Make 2 shorter section from 1 reel:



### Recessed Mounting Tips for Flush Mount Applications:

It is best to layout the Neon tape in the shape desired to estimate location of cut point and end caps. DO NOT CUT TAPE UNTIL ROUTING IS COMPLETE AND A TEST FIT FOR LENGTH IS DONE.

- It is best to experiment with the right depth to get the desired effect.
- Material thickness should be thicker than your routing depth.
- A hand held router may be all that is needed for straight or slightly curved shapes.
- A CNC router is best for complex shapes.
- Use a 5/32" (4mm) wide bit routing down to 0.315" (8mm) for the main tape sections.
- Use a 5/16" (8mm) wide bit routing down to 0.394" (10mm) for end caps. (Note that end caps will be raised 1mm)
- You can route out shallower or deeper for different effects.



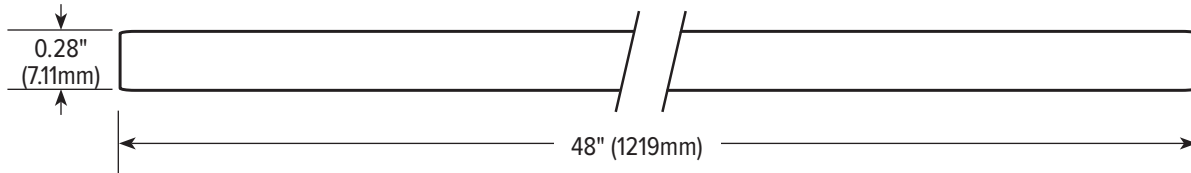
# NeoVisionMini

## 24VDC Neon LED Tape

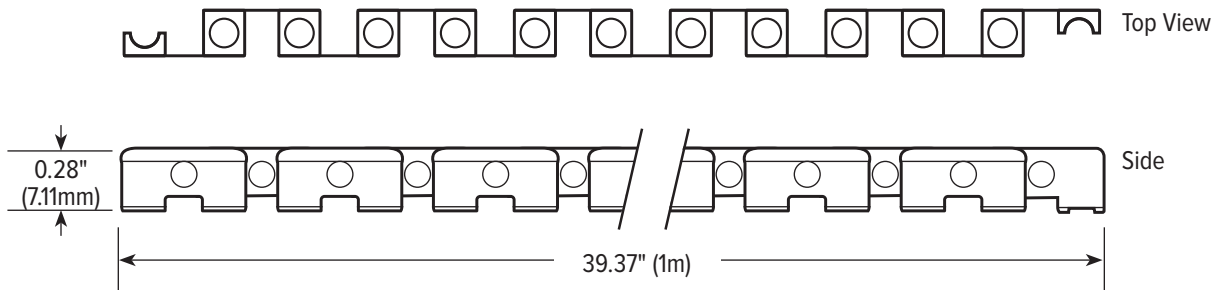
### Specification Sheet

#### DIMENSIONS

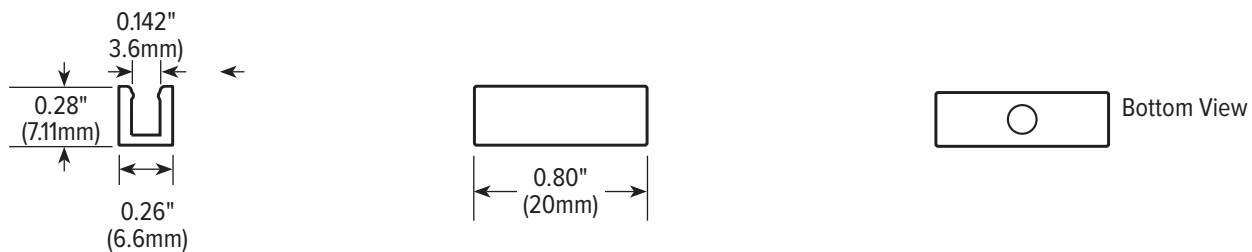
Rigid Channel  
**NVM24-CHL-A4**



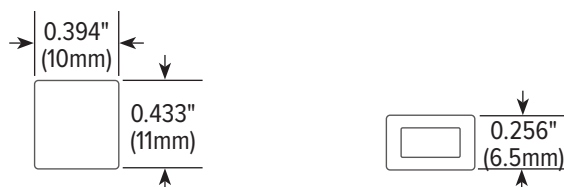
Flexible Channel  
**NVM24-FLEX-CHL**



Back Mounting Clips  
**NV24S-MC-A**



End Cap  
**NVM24S-EC**



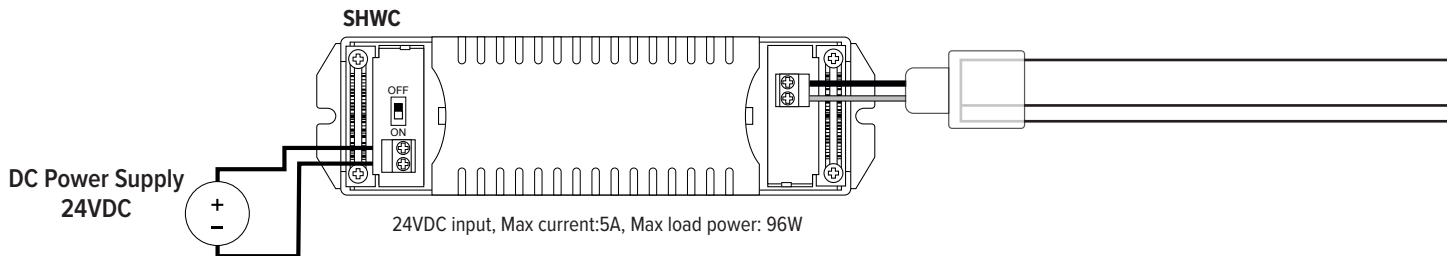
# NeoVisionMini

## 24VDC Neon LED Tape

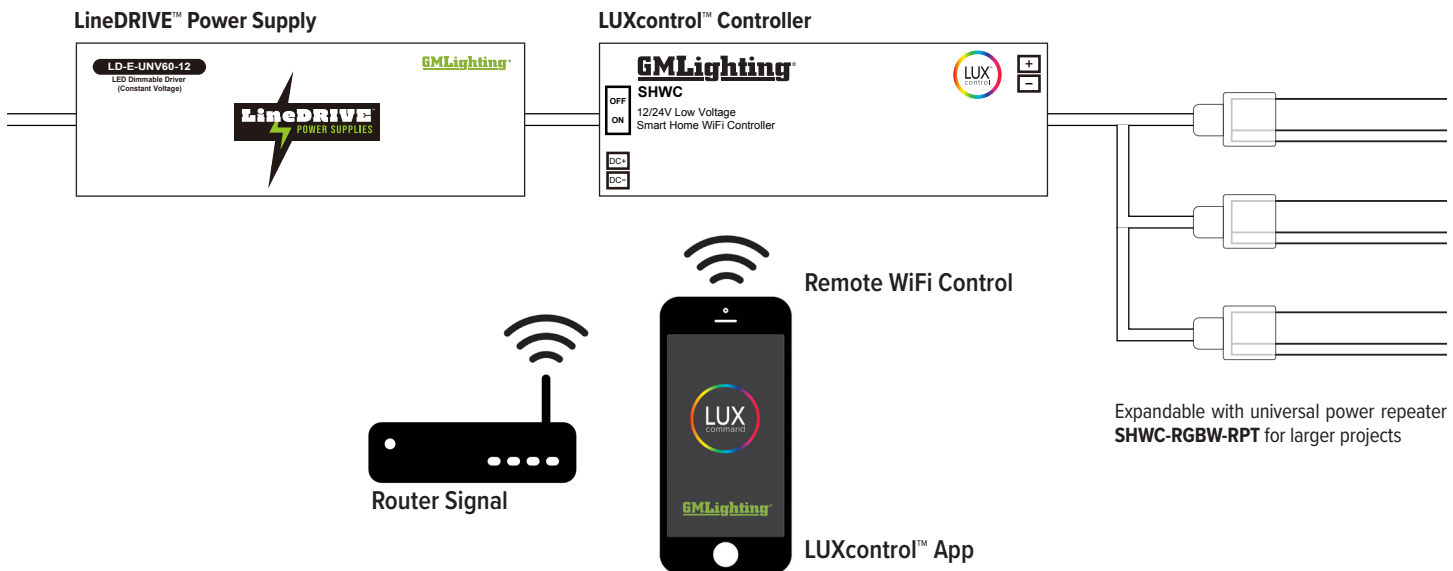
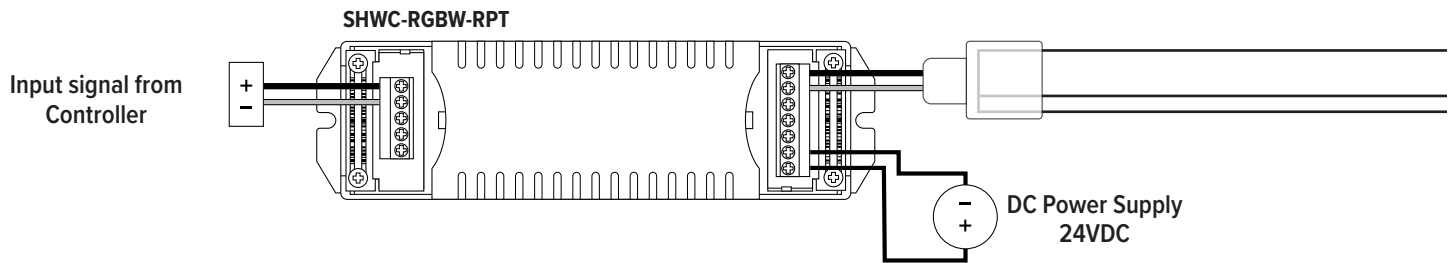
### Specification Sheet

#### WIRING DIAGRAM

### Single Color Smart Controller



### Repeater Wiring Single color connection - One channel



#### CONTROLLERS

Product No.	Description
SHWC*	Smart 2.4 GHz WiFi Controller, Standard 12V/24V Low Voltage, 1-Channel / 2-Wire
SHWC-RGBW-RPT*	Universal Smart Power Repeater

\*NOTE: For use with LD-E (non-dimmable) or LD-XD (dimmable) power supply only. Not compatible with LD-MD (magnetic) power supply.

#### POWER SUPPLIES

Product No.	Description
LD-E Series	LineDRIVE 24V Non-Dimmable Power Supplies
LD-XD Series	LineDRIVE 24V Dimmable Power Supplies
LD-MD Series	LineDRIVE 24V Magnetic Power Supplies
PSD Series	Constant Voltage 24V Dimmable Power Supplies

\*NOTE: Not compatible with SWITCHLD-SWD series wall dimmer with driver.

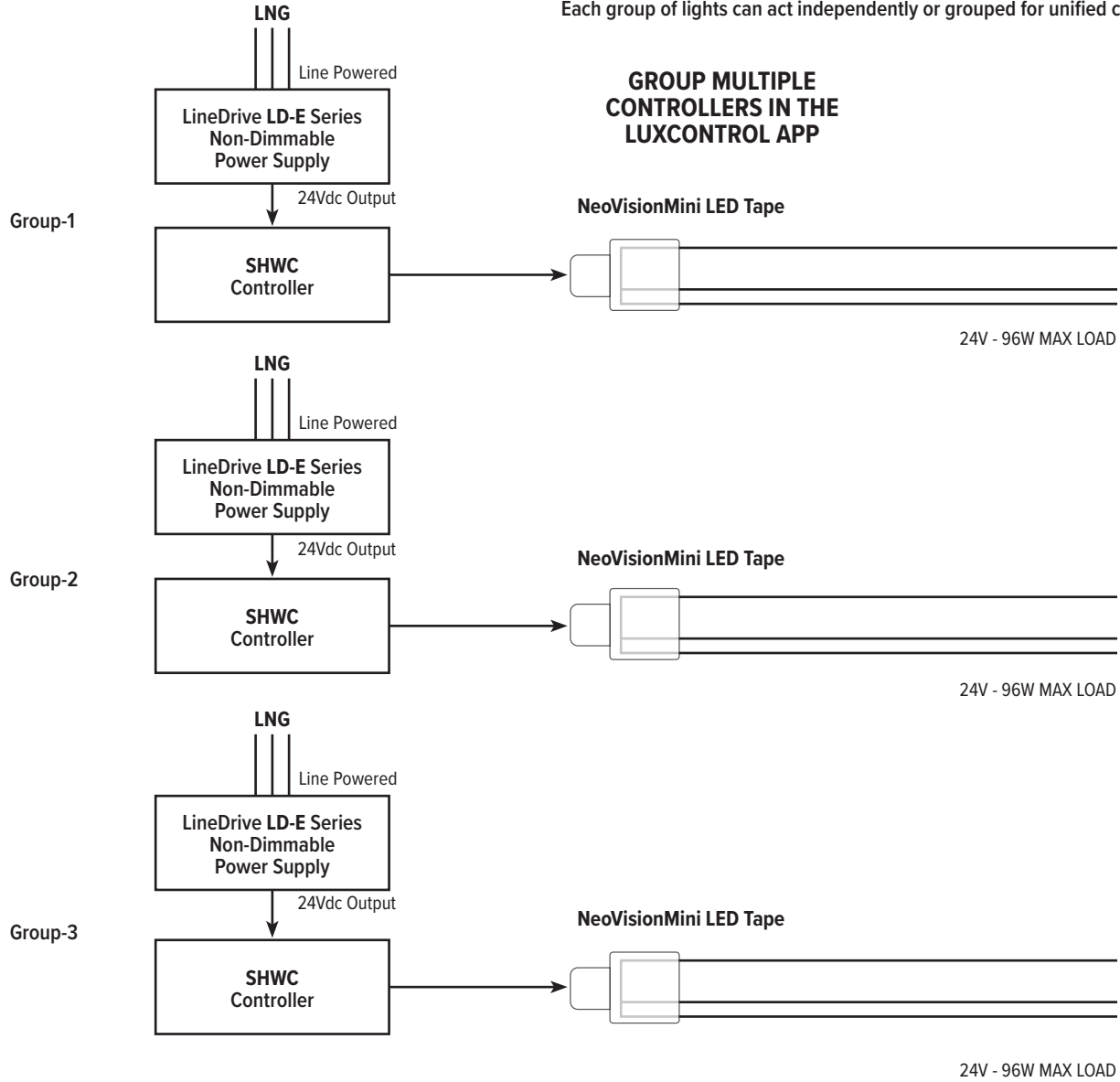
# NeoVisionMini

## 24VDC Neon LED Tape

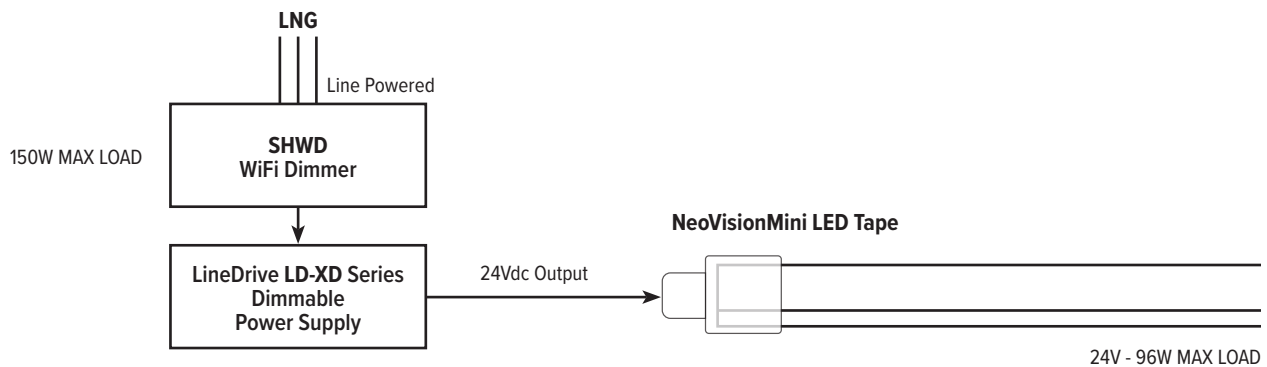
### Specification Sheet

#### SHWC LUXCONTROL WIFI CONTROLLER

Each group of lights can act independently or grouped for unified control.



#### SHWD LUXCONTROL WIFI CONTROLLER





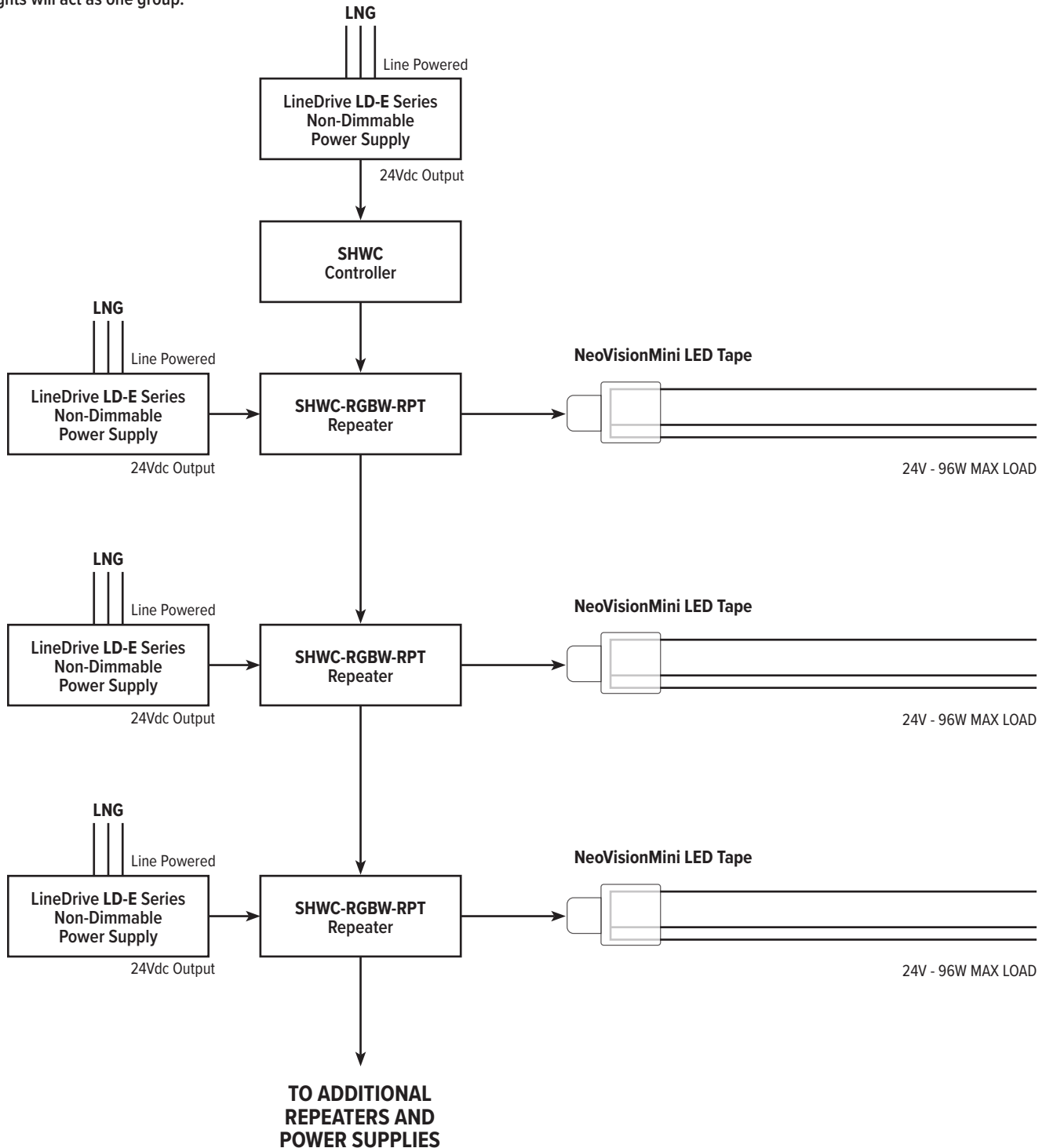
# NeoVisionMini

## 24VDC Neon LED Tape

### Specification Sheet

#### SHWC LUXCONTROL WIFI CONTROLLER WITH POWER REPEATER

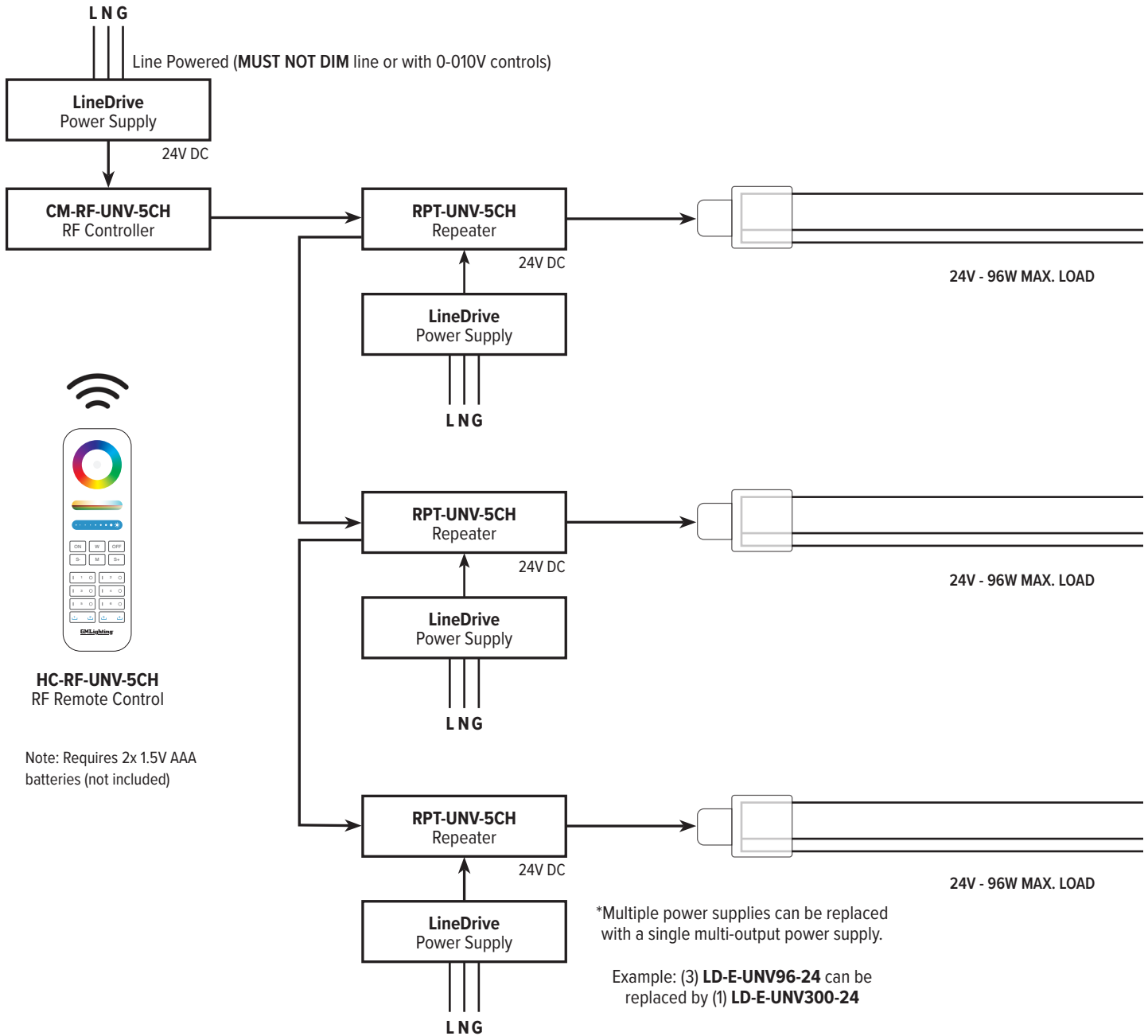
All Lights will act as one group.



# NeoVisionMini

## 24VDC Neon LED Tape Specification Sheet

### RF CONTROLLER



### CONTROLLERS

Product No.	Description
HC-RF-UNV-5CH	Universal 1-5 Channel RF Remote Control
CM-RF-UNV-5CH	Universal 1-5 Channel Control Module
RPT-UNV-5CH	Universal 1-5 Channel Repeater Amplifier

Note: Multiple power supplies can be replaced with a single multi-output power supply.

### POWER SUPPLIES

Product No.	Description
LD-E-UNV Series	LineDRIVE 12V / 24V Non-Dimmable Power Supplies
LD-XD-UNV Series	LineDRIVE 12V / 24V Power Supplies
LTP Series	24V Electronic LED Power Supplies



# NeoVisionMini

## 24VDC Neon LED Tape

### Specification Sheet

#### RF HAND HELD REMOTE FEATURES AND DIMENSIONS

