


READ BEFORE YOU START

THIS LUMINAIRE IS TO BE INSTALLED IN ACCORDANCE WITH LOCAL CODES AND THE NATIONAL ELECTRIC CODE (NFPA70). FAILURE TO FOLLOW THESE CODES AND INSTRUCTIONS MAY RESULT IN SERIOUS INJURY, PROPERTY DAMAGE AND VOID THE WARRANTY. THESE INSTRUCTIONS DO NOT COVER ALL TYPES OF INSTALLATION AND MOUNTING, OPERATION OR MAINTENANCE.


WARNING! - HOT

THE LUMINAIRE, LENS, AND SURROUNDING METAL COMPONENTS CAN BECOME VERY HOT DURING OPERATION, POSING A BURN RISK. AVOID INSTALLING FIXTURES IN AREAS ACCESSIBLE TO CHILDREN, ESPECIALLY WHEN USING HIGH-WATTAGE LAMPS, AND KEEP FLAMMABLE MATERIALS CLEAR OF THE UNIT. ALWAYS ALLOW THE FIXTURE TO COOL COMPLETELY BEFORE HANDLING OR PERFORMING MAINTENANCE.


WARNING! - SHOCK HAZARD

**DO NOT INSTALL WITHIN 10 FEET (3M) OF POOLS, SPAS, OR FOUNTAINS.
TURN POWER OFF BEFORE INSTALLING OR SERVICING COMPONENTS.**

TOOLS/SUPPLIES NEEDED:

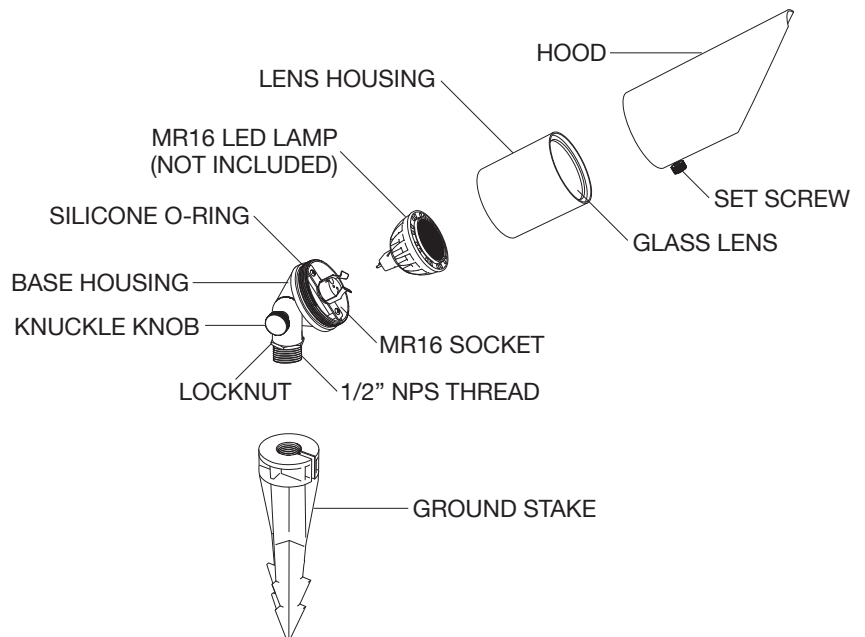
- GM Lighting MR16 LED series lamp
- Direct-burial connectors
- Low voltage direct burial cable
- Wire cutters/strippers
- Hammer
- Wooden Board
- Shovel

PARTS INCLUDED:

- ILS-D120-AB: Light fixture
- ILS-A110P: Fixture stake

IMPORTANT SAFETY GUIDE:

- It is recommended to use a qualified electrician for installation or maintenance.
- Use only low-voltage landscape power supplies ($\leq 300W$, 25A, 15V).
- Use MR16 lamps ($\leq 7.0W$ max).
- Only use wire connectors suitable for direct burial and outdoor use.
- Position the low voltage cable and wire connectors within 6 inches (15.2 cm) from a building structure, a luminaire or fitting.
- Low voltage cable is intended for shallow burial - less than 6 inches (15.2 cm).

FIG. 1

INSTALLATION STEPS 1-11
Step 1: Unpack and Verify Parts

Remove all components from the packaging and confirm that all necessary parts are included. (FIG 1)

Step 2: Access the Lamp Housing

Remove the set screw and slide hood off from the fixture. Remove the lens housing (twist counterclockwise).

Step 3: Install the MR16 Lamp

Install the GM Lighting MR16 Series lamp (MAX 7.0W). Align lamp's pins with the socket slots and press down gently until the pins are fully seated.

INSTALLATION STEPS

Step 4: Reassemble the Fixture

Reassemble the lens housing onto the base housing (twist clockwise until secure). Reinstall the hood with set screw.

Step 5: Position and Insert Stake

Position the assembled fixture stake at the desired ground location and firmly insert it into the ground. For hard ground, hammer stake using a board on top of stake to prevent damage. (FIG 2)

Step 6: Feed the Fixture Wire

Insert fixture wire through stake slot or hole. (FIG 3)

Step 7: Secure the Fixture to the Stake

Align the fixture's 1/2" NPS threads with the stake's opening. Twist the fixture clockwise onto the stake until secure. Locknut may then be tightened against stake to secure position. Confirm the fixture is stable, upright, and properly aligned. (FIG 3)

Step 8: Bury the Low-Voltage Cable

Bury the main low-voltage cable no deeper than 6 inches underground. Keep wire a minimum of 6 inches from building structures (e.g., house, deck). Excess cable can be cut but leave extra for wire handling and repositioning of fixture.

Step 9: Strip and Connect Wires

Separate wires and strip insulation back 1/2". Use with direct burial wire nuts or other terminal connectors to secure connections.

Step 10: Power On and Test Operation

Once all connections are secure, turn on the power supply to test operation. When the system lights up adjust fixture positioning to best control light beam. If not then check connections and transformers. (FIG 4)

Step 11: Adjust for Optimal Illumination

Use the hex nut at the base of the stem on the NPS threads to adjust horizontally, and the knuckle knob to adjust vertically. (FIG 5)

FIG. 2

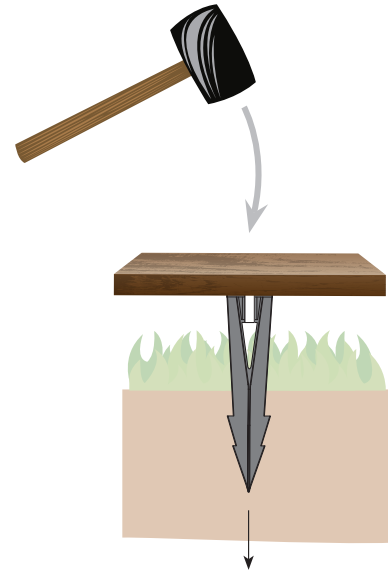


FIG. 3

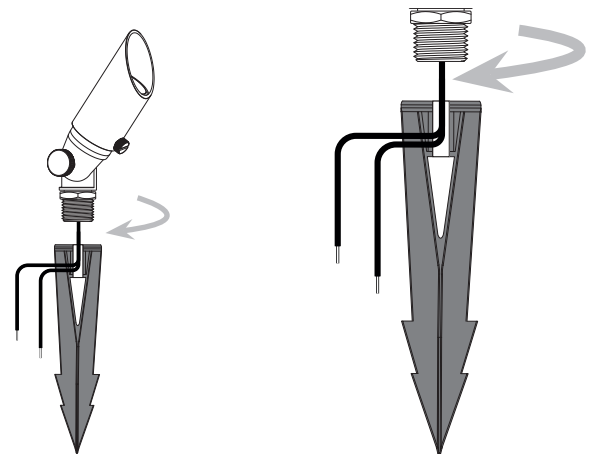


FIG. 4

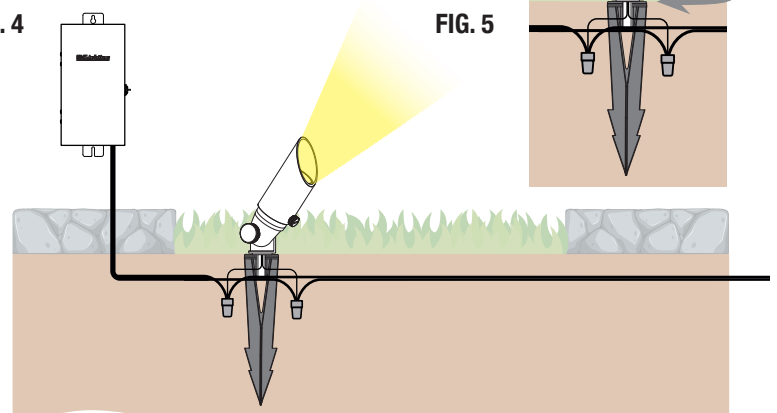


FIG. 5